

# LR44

Calculator Battery  
Swiss Made

## Technical Data Sheet

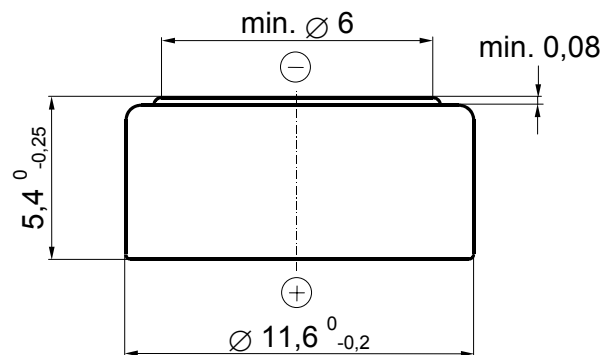
### Specifications

Chemical system	Zinc / Manganese Dioxide, high drain
Nominal Voltage	1,50 V
Capacity	105 mAh, Discharge over 8,25 k $\Omega$ at 20°C to 0,9 V
Internal Resistance	Below 20 $\Omega$ at 20°C
Operating Temperature	0°C – 60°C
Self Discharge	Less than 10% per year at 20°C
Weight	~1,75 g

### Dimensions

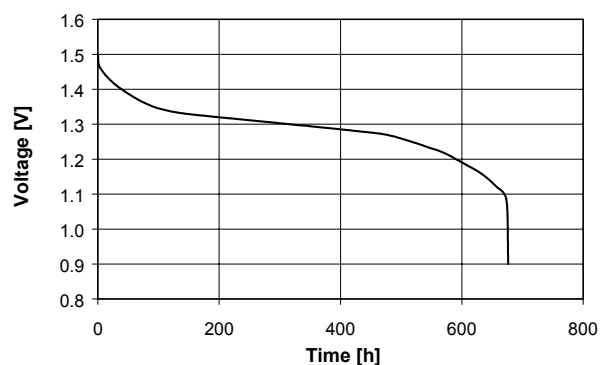
(according IEC 60086-3)

Diameter	11,60 mm (0,457")
Height	5,40 mm (0,213")



### Discharge Curve

Constant Load	8,25 k $\Omega$
Starting Drain	181,8 $\mu$ A
Temperature	20°C



Rev. LR44.03 06/02